

DIGITAL CONTACT TACHOMETERS

DT-105A (LCD)

DT-107A (LED)

The World's Finest Tachometers Are Now Even Better

Shimpo's microprocessor technology has heralded a superior standard in tachometer accuracy and capabilities for measuring and recording rotational/linear/surface speeds and total length.

Offering unprecedented confidence via new improvements, the DT-105A and DT-107A battery-operated tachometers still feature the same rugged, high quality components that have made them the benchmark in the industry. These user-friendly, value-packed units feature expanded memory storage, added length functions, free N.I.S.T. certificate and many standard accessories.



DT105A

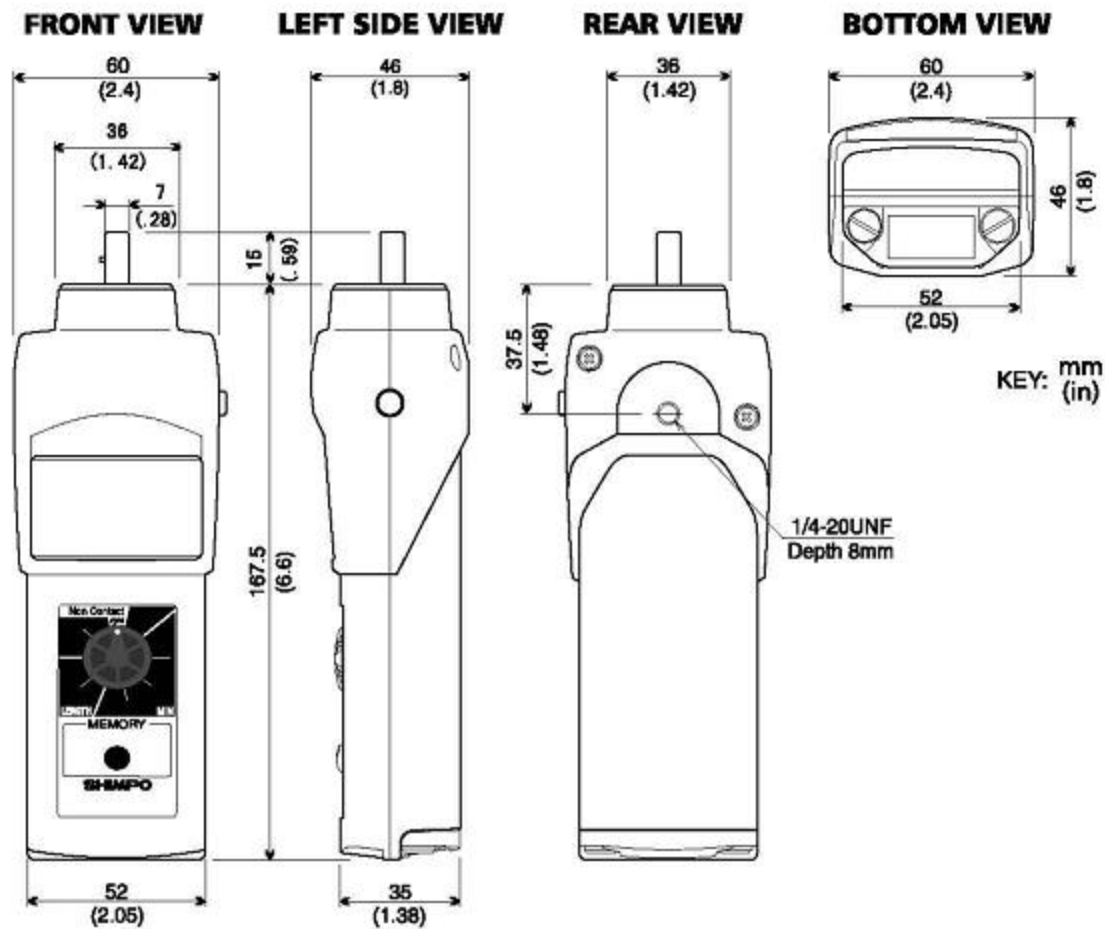
Features	Benefits
Multi-mode speed selection	Features 16 selections for optimum versatility
Outstanding accuracy (±0.006% of reading)	Provides reliable measurement results
Rugged aluminum construction	Built to stand the test of time
Direct length measurement	Offers value & versatility via added applications
Extensive speed range (0.10 - 25,000 RPM)	Maximizes usage in almost limitless applications
Large 5 digit display	Allows easy reading of numbers
Lengthy battery life (up to 60 hours)	Advanced power management enables longer operating times
Large 10 test memory capacity (selectable to 5 minutes or more)	Stores last min/max readings for thorough equipment and process inspection
Total revolution display	Enables rotation counting during process analysis
Free N.I.S.T. certificate	Permits easy compliance with regulations
CE mark	Compliant with applicable EU directives
Minimum shaft loading or overspeed	Prevents potential instrument protection damage



WIRE/YARN TEST FIXTURE

Optional fixture WY100 is attached to the DT105A / 107A tachometers for rate and length measurement.

DT-105A / DT-107A



SPECIFICATIONS		
	DT-105A	DT-107A
Measuring Range	0.10 - 25,000 RPM with floating decimal	
Accuracy	±0.06 RPM : 0.10 - 999.9 RPM ±0.6 RPM : 1,000.0 - 9,999.9 RPM ±0.006 % of reading ±1 digit (or 2 RPM max.) : 10,000 - 25,000 RPM	
Display	5 digit 0.47" (12 mm) high LCD	5 digit 0.4" (10 mm) high LED
Measuring Units	Revolutions : RPH,RPM Yards : YPH,YPM Length : m, cm, inches, feet, yards	Feet : FPH,FPM Inches : IPM Total Revolutions : REV Miles : MPH Meters : mPH,mPM
Memory	13 readings are stored in memory and retained for 5 minutes (last, max., min. and 10 extra measurements)	
Display Update Time	1 second (typical)	
Detection	Optical coupler, 60 pulses/rev.	
System Control	Single-chip C-MOS microprocessor	
Over Range Indicator	Flashing numerals	
Voltage Requirement	2 AA 1.5 V batteries	
Low Battery Indicator	Flashing "LO BAT" display	"B" display
Auto Power Shut-Off	Yes	
Battery Life	45-60 hrs approx.	25 hrs approx.
Operating Temperature Range	32° - 113° F (0 - 45° C)	
Decimal Point	Floating	
Construction	Die-cast aluminum housing	
Weight	0.9 lb (400 g)	
Dimensions	7.2" L x 2.4" W x 1.8" H (182.5 mm x 60 mm x 46 mm)	
Warranty	1 year	
Standard Accessories	2 cone adapters, 1 funnel adapter, 1 3-1/2" extension shaft, NIST certificate, carrying case, 1 master wheel (6" cir.)	
Optional Accessories	Wire/yarn fixture, cone adapter, funnel adapter, extension shaft, 6" measuring wheel, 12" measuring wheel	